

# Conduction Cooled Vertical Stack Diode Laser

## Vsilk 2 Pro-1000



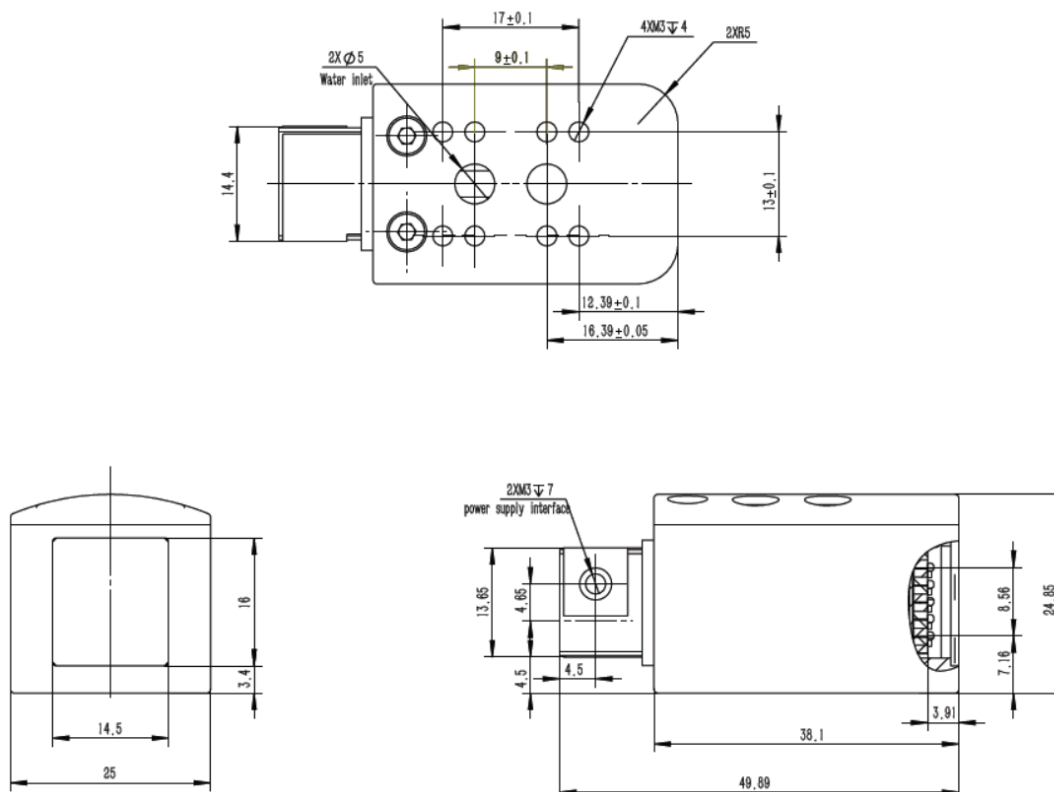
### Features

- High power 200W/bar
- High beam quality
- High reliability
- Small size
- Light weight

### Applications

- Hair removal

### Product Dimensions (mm)



**Remark:** The structure drawing is for reference only. Please feel free to contact us for any special requirements.

## Product Specifications

### Product Code

Part No. <sup>1</sup>

FL-Vsilk2Pro-1000-808

Optical Data <sup>2</sup>	Unit	Value
Centroid Wavelength	nm	808
Wavelength Tolerance	nm	± 15
Output Power <sup>3</sup>	W	1000
Number of bars	-	5
Bar to Bar Pitch	mm	2.1
Fast Axis Divergence 95%	°	5 ~ 7
Slow Axis Divergence 95%	°	12 ~ 14
Spot Size <sup>4</sup>	mm	12 × 12
Wavelength Temp. Coefficient	nm/°C	~ 0.28

### Electrical Data <sup>2</sup>

Operation Current	A	≤ 210
Threshold Current	A	≤ 30
Operating Voltage	V	≤ 10
Slope Efficiency per bar	W/A	≥ 1.1
Power Conversion Efficiency	%	≥ 48
Max. Pulse Width	ms	100
Max. Duty Cycle	%	10

### Miscellaneous Data

Operating Temperature <sup>5</sup>	°C	22 ~ 28
Coolant	-	Distilled water or pure water
Flow Rate	L/min	3 ~ 4

<sup>1</sup> Part No. = Brand Code - Series - Power - Centroid Wavelength.

<sup>2</sup> Data at 25°C unless otherwise stated.

<sup>3</sup> Reduced lifetime if used above nominal operating conditions.

<sup>4</sup> At the distance of 32mm from light emitting surface.

<sup>5</sup> A non-condensing environment is required for storage and operation below ambient dew level.



**Recommended Operation Condition**

Vsilk 2 Pro-1000 Energy Table															
Energy(J)		Frequency(Hz)											Iop		
		1	2	3	4	5	6	7	8	9	10	20		~200A	
Pulse width (ms)	5	5	5	5	5	5	5	5	5	5	5	5	5		~150A
	10	10	10	10	10	10	10	10	10	10	10	10			~120A
	20	16	16	16	16	16									~90A
	30	17	17	17											Water Temperature: T=25±3°C Flow Rate: 3~4L/min
	40	23	23												
	50	29													
	100	38													