

High Power Fiber Coupled Diode Laser

LM Series (Basic B)



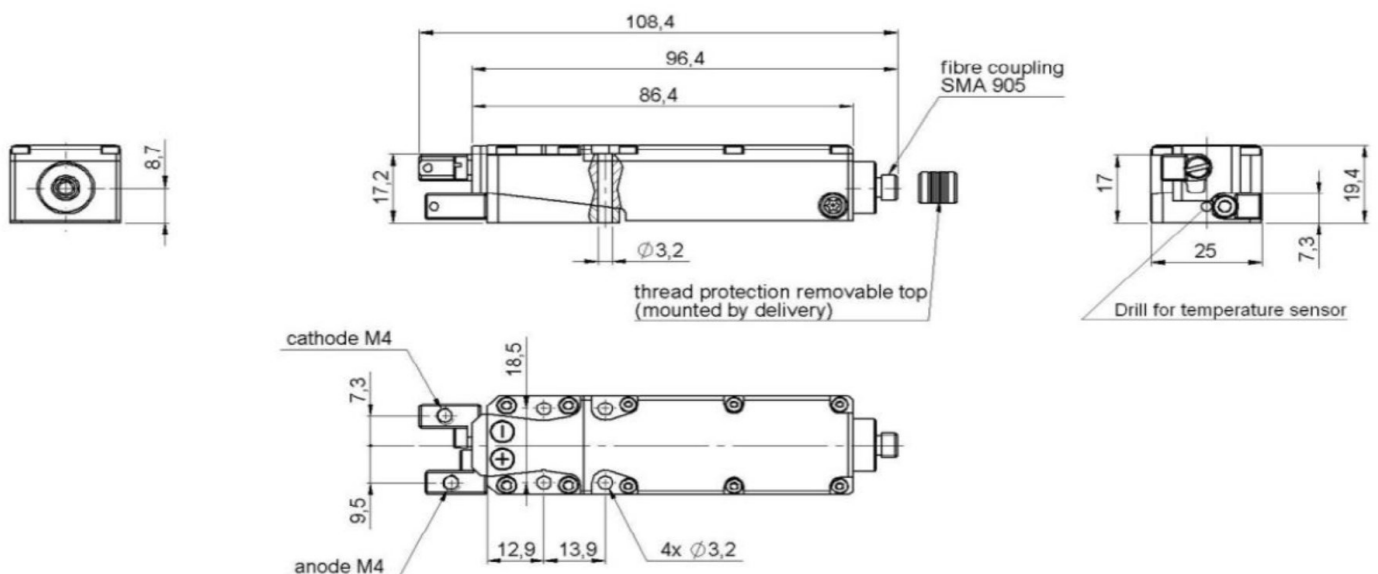
Features

- High brightness
- High E/O efficiency
- Compact housing
- Hermetically sealed housing
- Conduction Cooling
- Plug and play fiber connector

Applications

- Advanced Manufacturing
- Health
- Information Technology
- Scientific Research

Product Dimensions (mm)



Remark: The structure drawing is for reference only. Please feel free to contact us for any special requirements.

Product Specifications

Product Code	FCS000005²	
Part No. ¹	FL-LM1524-15-981-200	
Optical Data		
	Unit	Value
CW-nominal output power	W	15
Centroid wavelength	nm	981
Wavelength tolerance (±)	nm	1
Spectral width (FWHM)	nm	1
Wavelength Temp. drift	nm/K	0.01
Wavelength stabilization		Yes
Operation Conditions		
Nominal diode heat sink Temp.	°C	25
Diode heat sink operation Temp. ³	°C	+15 ... +30
Minimum heat sink capacity	W	50
Electrical Data		
Max. operation current start of life	A	30
Max. operation current end of life	A	36
Typical threshold current	A	6
Typical operation voltage	V	2
Typical slope	W/A	0.8
Typical E/O efficiency	%	33
Fiber connection		
Fiber included		Yes
Fiber core diameter	µm	200
Numerical aperture		0.22
Fiber optic connector		SMA905
Fiber length	m	0.5±0.1
Package		
Dimensions	mm ³	108.4 × 25 × 19.4
Weight basic package	kg	0.3
Storage Temp.	°C	-20 ... +60
Additional Features		
High reflection bandwidth (> 99% S&P polarized)	nm	/
Temp. sensors		NTC & Pt100
Accessories package ⁴		Yes
Measurement		
Fiber		non AR coated, 200µm
Diode heat sink Temp.	°C	25

¹ Part No. = Brand Code - Series - Power - Centroid Wavelength - Fiber Core Diameter.

² Typical customization of products.

³ Operation beyond recommended temperature may cause lifetime reduction or even damage to the product.

⁴ In the accessory package, the positive and negative electrodes of the "diode" need to be reversely connected to the negative and positive electrodes of the module; The insulation and thermal conductivity of the "carbon film" are very important to the installation and use of the laser, as the housing of the laser is connected to its anode.

