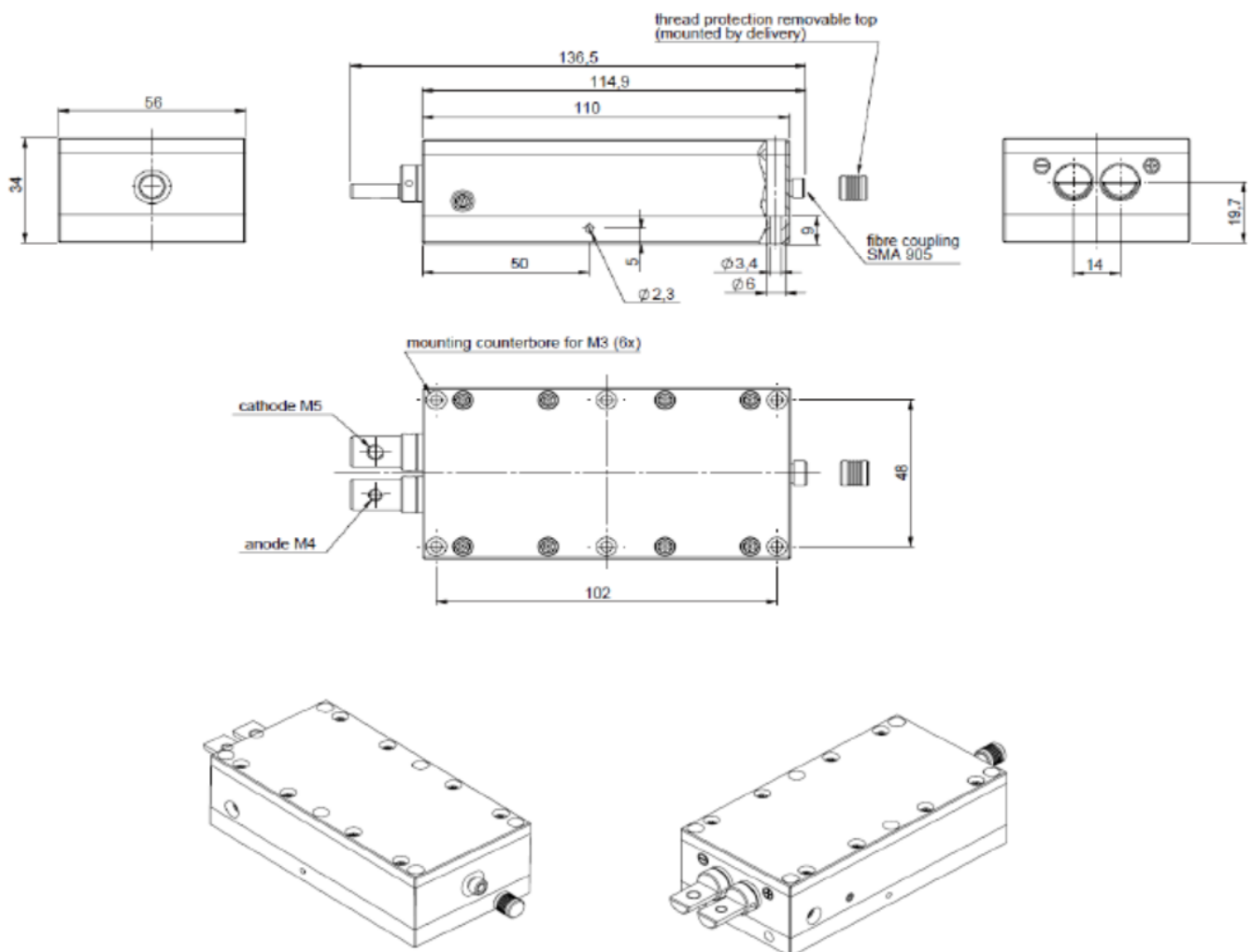


High Power Fiber Coupled Diode Laser FG Series

	Features	Applications
	<ul style="list-style-type: none"> • High brightness • High E/O efficiency • Compact housing • Hermetically sealed housing • Conduction Cooling • Plug and play fiber connector 	<ul style="list-style-type: none"> • Advanced Manufacturing • Health • Information Technology • Scientific Research

Product Dimensions (mm)



Remark: The structure drawing is for reference only. Please feel free to contact us for any special requirements.

Product Specifications

Product Code	FCS000001		FCS000002	
Part No. ¹	FL-FG2068-35-808-100		FL-FG3008-60-981-200	
Optical Data	Unit	Value	Value	Value
CW-nominal output power	W	35		60
Centroid wavelength	nm	808		981
Wavelength tolerance (±)	nm	3		3
Spectral width (FWHM)	nm	4		4
Wavelength Temp. drift	nm/°C	~ 0.28		~ 0.34
Wavelength stabilization		/		/
Operation Conditions				
Nominal diode heat sink Temp.	°C	20		20
Diode heat sink operation Temp. ²	°C	+15 ... +30		+15 ... +30
Minimum heat sink capacity	W	80		110
Electrical Data				
Max. operation current start of life	A	53		80
Max. operation current end of life	A	64		96
Typical threshold current	A	8		8
Typical operation voltage	V	2		2
Typical slope	W/A	0.8		0.9
Typical E/O efficiency	%	39		45
Fiber connection				
Fiber included		Yes		/
Fiber core diameter	µm	100		200
Numerical aperture		0.22		0.22
Fiber optic connector		SMA905		SMA905
Fiber length	m	1.5±0.1		/
Fiber connected		Fixed		/
Package				
Dimensions	mm ³	136.3×56×34		136.3×56×34
Weight basic package	kg	0.85		0.85
Storage Temp.	°C	-20 ... +60		-20 ... +60
Additional Features				
High reflection bandwidth (>99% S&P polarized)	nm	1030 ... 1130		1030 ... 1130
Temp. sensors		NTC & Pt100		NTC & Pt100
Monitor diode (driver: 5V)		/		/
Pilot beam (driver: 5V, 40mA)		/		/
Measurement				
Fiber		non AR coated, 100µm		non AR coated, 200µm
Diode heat sink Temp.	°C	25		25

¹ Part No. = Brand Code - Series - Power - Centroid Wavelength - Fiber Core Diameter.

² Operation beyond recommended temperature may cause lifetime reduction or even damage to the product.

