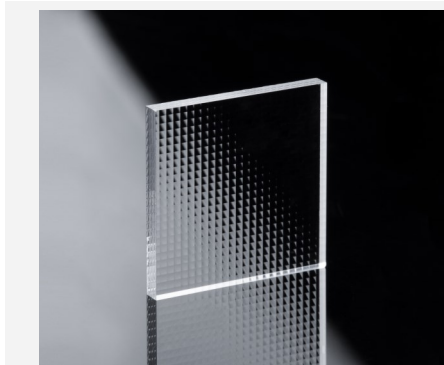


Homogenizer

Pitch 1.3



Features and Advantages

Lens array with cross-oriented cylindrical lenses on both sides.
Top hat profiles with high homogeneity can be generated in both dimensions.

Product Specifications

Specification Data	Unit	Value
Material		Fused Silica
Length (L)	mm	35.0 ± 0.1
Width (W)	mm	35.0 ± 0.1
Thickness (T)	mm	2.0 ± 0.1
Clear Aperture	mm ²	32.5 x 32.5
Refractive Index n @ 248 nm / @ 532 nm / @ 1064nm		1.509 / 1.461 / 1.449
Pitch (P)	mm	1.3
Transmission (without coating)	%	> 90
Protective Chamfer	mm x 45°	0.3 ± 0.2
Surface Imperfections (DIN ISO 10110-7)		5/ 10×0,1; L3×0,25; E1

Product Code	ZLA000218 ⁽¹⁾	ZLA000800 ⁽¹⁾	ZLA001687 ⁽¹⁾	ZLA000794 ⁽¹⁾		
Specification Data	Unit	Value				
Radius	mm	2.99 ± 0.09	4.40 ± 0.13	6.50 ± 0.20	8.40 ± 0.25	
EFL	@ 248 nm	mm	5.88 ± 0.18	8.65 ± 0.26	12.8 ± 0.38	16.5 ± 0.50
	@ 532 nm	mm	6.49 ± 0.19	9.55 ± 0.29	14.1 ± 0.42	18.2 ± 0.55
	@ 1064nm	mm	6.65 ± 0.20	9.79 ± 0.29	14.5 ± 0.43	18.7 ± 0.56
Numerical Aperture [p / (2f)]	@ 248 nm		0.1105	0.0751	0.0508	0.0394
	@ 532 nm		0.1002	0.0681	0.0461	0.0357
	@ 1064nm		0.0977	0.0664	0.0448	0.0348

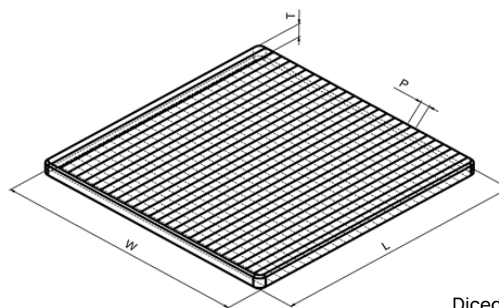
⁽¹⁾ Example for customization – design and dimensions on request.

Product Specifications

Product Code		ZLA000781	ZLA000788 ⁽¹⁾	ZLA000745 ⁽¹⁾	ZLA000743 ⁽¹⁾	ZLA000787 ⁽¹⁾	
Specification Data	Unit	Value					
Radius	mm	12.5 ± 0.38	17.0 ± 0.51	25.0 ± 0.75	50.0 ± 1.5	-50.0 ± 1.5	
EFL	@ 248 nm	mm	24.6 ± 0.74	33.4 ± 1.0	49.2 ± 1.5	98.3 ± 2.9	-98.3 ± 2.9
	@ 532 nm	mm	27.1 ± 0.81	36.9 ± 1.1	54.3 ± 1.6	108.5 ± 3.3	-108.5 ± 3.3
	@ 1064nm	mm	27.8 ± 0.83	37.8 ± 1.1	55.6 ± 1.7	111.2 ± 3.3	-111.2 ± 3.3
Numerical Aperture [p / (2f)]	@ 248 nm		0.0264	0.0195	0.0132	0.0066	0.0066
	@ 532 nm		0.0240	0.0176	0.0120	0.0060	0.0060
	@ 1064nm		0.0234	0.0172	0.0117	0.0059	0.0059

⁽¹⁾ Example for customization – design and dimensions on request.

Product Drawing (mm)



Diced asymmetrically – symmetric dicing on request