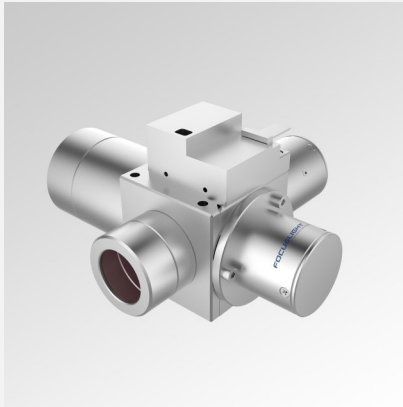


# Industrial Laser System for Material Processing

## Activation Series - Laser Processing Heads



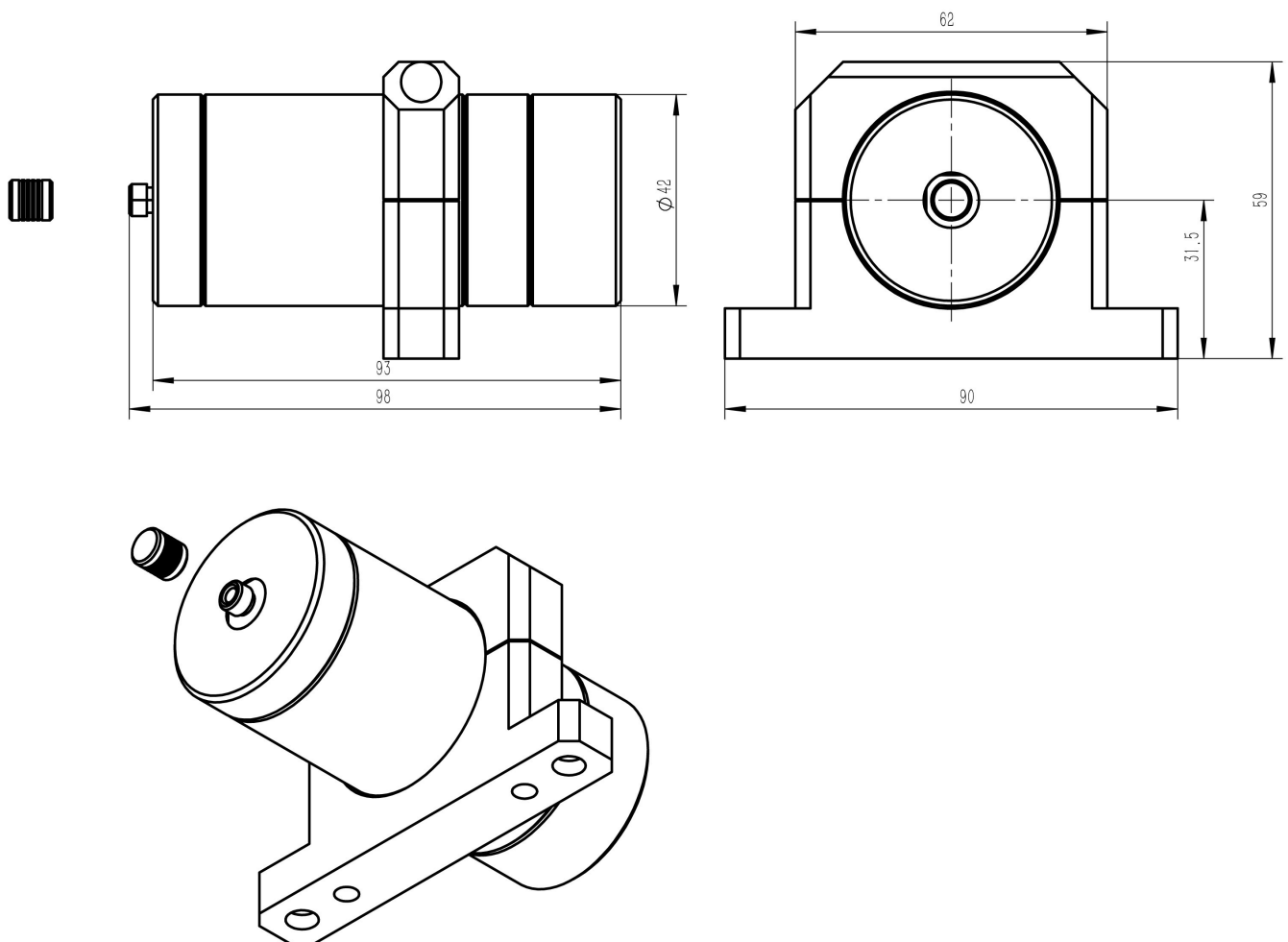
### Features

- Optimized beam shaping
- Perfect process tool for welding and soldering
- Safe process data transfer
- Individual software package

### Applications

- Material processing
- Laser annealing
- Laser reflow soldering
- Laser bonding
- Plastic welding
- Laser non-contact heating

### Product Dimensions (mm)



**Remark:** The structure drawing is for reference only. Please feel free to contact us for any special requirements.

## Product Specifications

<b>Product Code</b>	<b>ACT000034</b>
Part No. <sup>1</sup>	LM-LPH-SMA-R-60-120

General Data	Unit	Value
Housing Material	-	Anodized Aluminum
Dimensions (length × width × depth)	mm	90 × 59 × 98
Mounting Threads (on both sides)	-	4 × M5
Fiber Connector Types	-	SMA905

Optical Data	Unit	Value
Max. Laser Power (CW)	W	120
Wavelength Range	nm	790 - 990
Max. Numerical Aperture	-	0.23
Max. Fiber Core Diameter	μm	600
Transmission Rate	-	90% (typ. 95%)
Collimation Focal Length	mm	60
Focusing Focal Length	mm	120
Working Distance	mm	100 ± 5
Beam Size FWHM with 200μm Fiber	μm	420
Beam Size (90% PE) with 200μm Fiber <sup>2</sup>	μm	600
Beam Size FWHM with 400μm Fiber	μm	840
Beam Size (90% PE) with 400μm Fiber <sup>2</sup>	μm	1000

Thermal Data	Unit	Value
Operating Temperature	°C	5 ~ 40
Storage Temperature	°C	15 ~ 50
Max. Housing Temperature in Operation	°C	60

<sup>1</sup> Part No. = Brand Code - Series - Fiber Connector Type - Beam Type - Collimation Focal Length - Focusing Focal Length

<sup>2</sup> PE means power enclosed.

