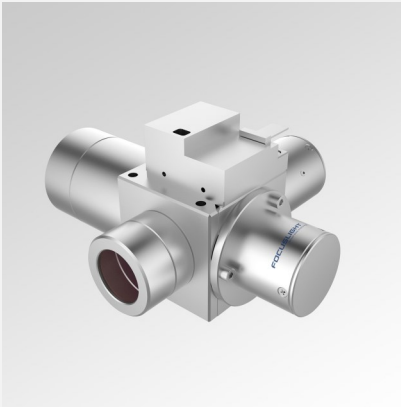


# Industrial Laser System for Material Processing

## Activation Series - Laser Processing Heads



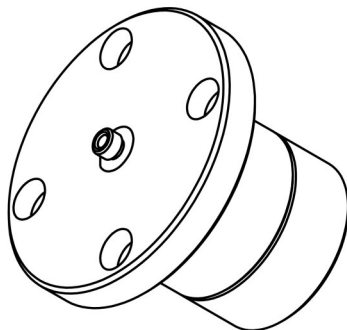
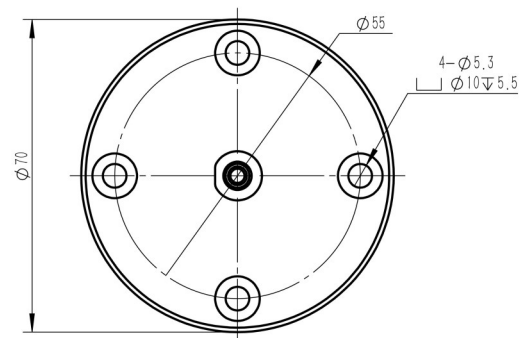
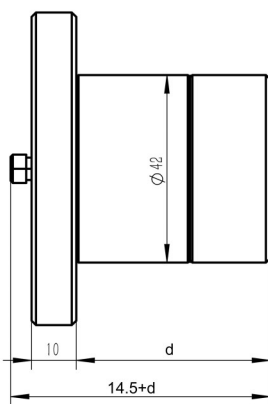
### Features

- Optimized beam shaping
- Perfect process tool for welding and soldering
- Safe process data transfer
- Individual software package

### Applications

- Material processing
- Laser annealing
- Laser reflow soldering
- Laser bonding
- Plastic welding
- Laser non-contact heating

### Product Dimensions (mm)



**Remark:** The structure drawing is for reference only. Please feel free to contact us for any special requirements.

## Product Specifications

Product Code	ACT000029	ACT000036
Part No. <sup>1</sup>	LM-LPH-LD80-R-50-100	LM-LPH-SMA-R-50-5000

General Data	Unit	Value	
Housing Material	-	Anodized Aluminum	Anodized Aluminum
Dimensions (length × width × depth)	mm	70 × 70 × 87	70 × 70 × 87
Mounting Threads (on both sides)	-	4 × M5	4 × M5
Fiber Connector Types	-	LD80	SMA905
Length d (shown in the picture)	mm	72.5	72.5

Optical Data			
Max. Laser Power (CW)	W	500	120
Wavelength Range	nm	790 - 990	790 - 990
Max. Numerical Aperture	-	0.23	0.23
Max. Fiber Core Diameter	μm	600	600
Transmission Rate	-	90% (typ. 95%)	90% (typ. 95%)
Collimation Focal Length	mm	50	50
Focusing Focal Length	mm	100	5000
Working Distance	mm	80 ± 10	5000
Beam Size FWHM with 200μm Fiber	μm	400	-
Beam Size (90% PE) with 200μm Fiber <sup>2</sup>	μm	560	-
Beam Size FWHM with 400μm Fiber	μm	800	-
Beam Size (90% PE) with 400μm Fiber <sup>2</sup>	μm	960	-
Max. Divergence with 200μm Fiber <sup>3</sup>	mrad	-	4
Max. Divergence with 400μm Fiber <sup>3</sup>	mrad	-	8

Thermal Data			
Operating Temperature	°C	5 ~ 40	5 ~ 40
Storage Temperature	°C	15 ~ 50	15 ~ 50
Max. Housing Temperature in Operation	°C	60	60

<sup>1</sup> Part No. = Brand Code - Series - Fiber Connector Type - Beam Type - Collimation Focal Length - Focusing Focal Length

<sup>2</sup> PE means power enclosed.

<sup>3</sup>FW 1/e<sup>2</sup>



## Product Specifications

Product Code	ACT000037	ACT000038
Part No. <sup>1</sup>	LM-LPH-SMA-R-A35-0	LM-LPH-LD80-R-35-0

General Data	Unit	Value	
Housing Material	-	Anodized Aluminum	Anodized Aluminum
Dimensions (length × width × depth)	mm	70 × 70 × 58	70 × 70 × 58
Mounting Threads (on both sides)	-	4 × M5	4 × M5
Fiber Connector Types	-	SMA905	LD80
Length d (shown in the picture)	mm	43.5	43.5

Optical Data			
Max. Laser Power (CW)	W	120	500
Wavelength Range	nm	790 - 990	790 - 990
Max. Numerical Aperture	-	0.23	0.23
Max. Fiber Core Diameter	µm	600	600
Transmission Rate	-	90% (typ. 95%)	90% (typ. 95%)
Collimation Focal Length	mm	35	35
Focusing Focal Length	mm	-	-
Working Distance	mm	-	-
Beam Size FWHM with 200µm Fiber	µm	-	-
Beam Size (90% PE) with 200µm Fiber <sup>2</sup>	µm	-	-
Beam Size FWHM with 400µm Fiber	µm	-	-
Beam Size (90% PE) with 400µm Fiber <sup>2</sup>	µm	-	-
Max. Divergence with 200µm Fiber <sup>3</sup>	mrاد	7	8
Max. Divergence with 400µm Fiber <sup>3</sup>	mrاد	12	14

Thermal Data			
Operating Temperature	°C	5 ~ 40	5 ~ 40
Storage Temperature	°C	15 ~ 50	15 ~ 50
Max. Housing Temperature in Operation	°C	60	60

<sup>1</sup> Part No. = Brand Code - Series - Fiber Connector Type - Beam Type - Collimation Focal Length - Focusing Focal Length

<sup>2</sup> PE means power enclosed.

<sup>3</sup>FW 1/e<sup>2</sup>

