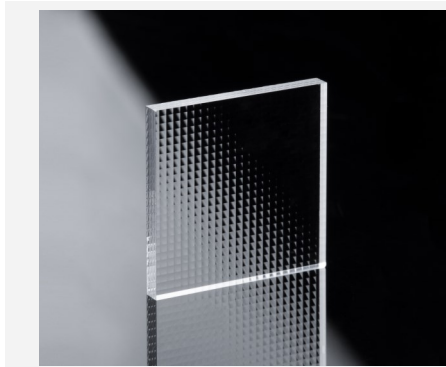


Homogenizer

Pitch 0.8



Features and Advantages

Lens array with cross-oriented cylindrical lenses on both sides.
Top hat profiles with high homogeneity can be generated in both dimensions.

Product Specifications

Specification Data	Unit	Value
Material		Fused Silica
Length (L)	mm	20.0 ± 0.1
Width (W)	mm	20.0 ± 0.1
Thickness (T)	mm	2.0 ± 0.1
Clear Aperture	mm ²	18.0 x 18.0
Refractive Index n @ 248 nm / @ 532 nm / @ 1064nm		1.509 / 1.461 / 1.449
Pitch (P)	mm	0.8
Transmission (without coating)	%	> 90
Protective Chamfer	mm x 45°	NA
Surface Imperfections (DIN ISO 10110-7)		5/ 3×0,1; L1×0,25; E1

Product Code	ZLA000509 ⁽¹⁾	ZLA000243 ⁽¹⁾	ZLA000507	ZLA000486 ⁽¹⁾		
Specification Data	Unit	Value				
Radius	mm	4.35 ± 0.13	8.70 ± 0.26	11.1 ± 0.33	16.7 ± 0.50	
EFL	@ 248 nm	mm	8.55 ± 0.26	17.1 ± 0.51	21.8 ± 0.65	32.8 ± 0.98
	@ 532 nm	mm	9.44 ± 0.28	18.9 ± 0.57	24.1 ± 0.72	36.3 ± 1.09
	@ 1064nm	mm	9.67 ± 0.29	19.4 ± 0.58	24.7 ± 0.74	37.1 ± 1.11
Numerical Aperture [p / (2f)]	@ 248 nm		0.0468	0.0234	0.0183	0.0122
	@ 532 nm		0.0424	0.0212	0.0166	0.0110
	@ 1064nm		0.0414	0.0206	0.0162	0.0108

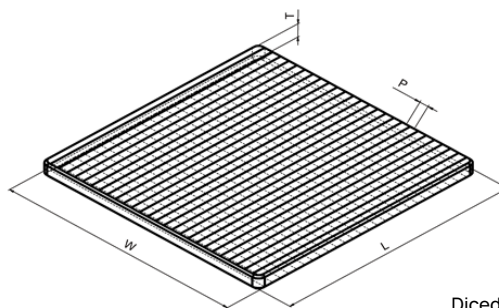
⁽¹⁾ Example for customization – design and dimensions on request.

Product Specifications

Product Code			ZLA000488 ⁽¹⁾	ZLA000229 ⁽¹⁾	ZLA000230 ⁽¹⁾	ZLA000511 ⁽¹⁾
Specification Data		Unit	Value			
Radius		mm	24.4 ± 0.73	48.0 ± 1.4	78.0 ± 2.3	105.0 ± 3.2
EFL	@ 248 nm	mm	48.0 ± 1.4	94.4 ± 2.8	153.4 ± 4.6	206.5 ± 6.2
	@ 532 nm	mm	53.0 ± 1.6	104.2 ± 3.1	169.3 ± 5.1	227.9 ± 6.8
	@ 1064nm	mm	54.3 ± 1.6	106.8 ± 3.2	173.5 ± 5.2	233.5 ± 7.0
Numerical Aperture [p / (2f)]	@ 248 nm		0.0083	0.0042	0.0026	0.0019
	@ 532 nm		0.0075	0.0038	0.0024	0.0018
	@ 1064nm		0.0074	0.0037	0.0023	0.0017

⁽¹⁾ Example for customization – design and dimensions on request.

Product Drawing (mm)



Diced asymmetrically – symmetric dicing on request