
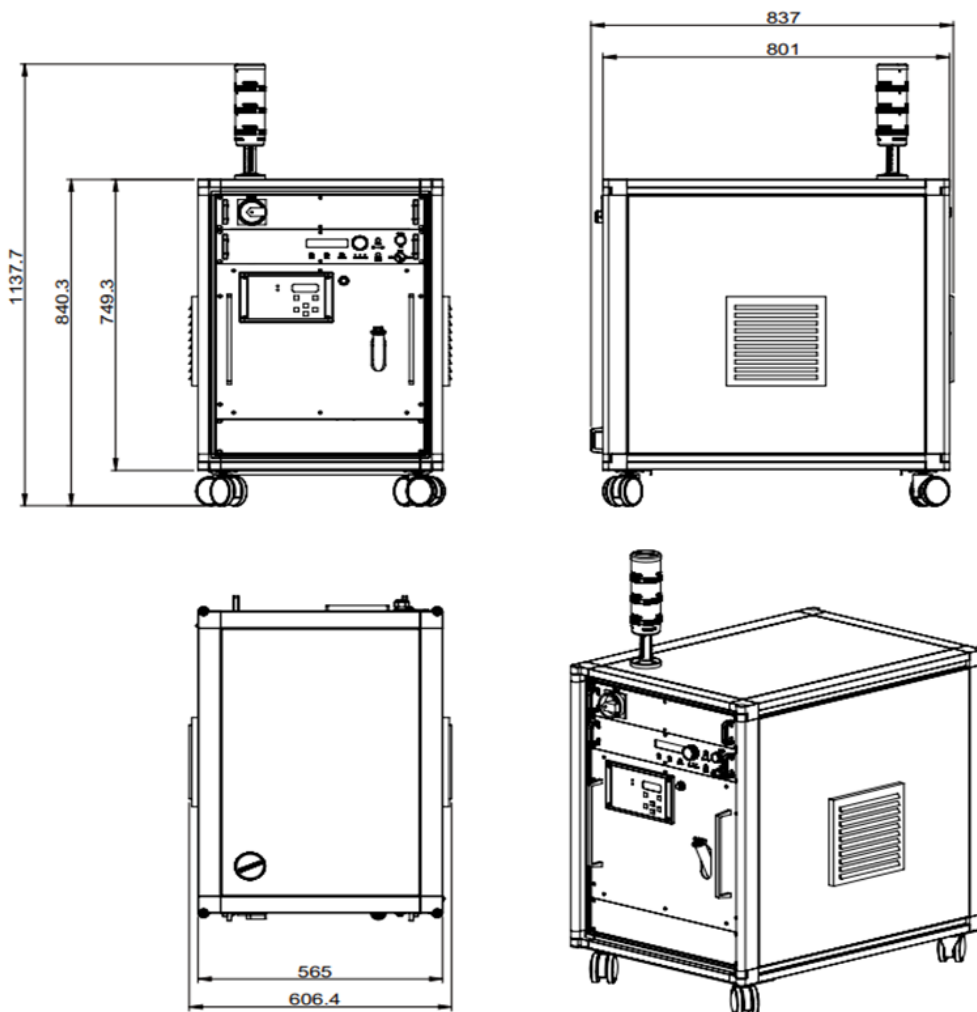


Industrial Laser System for Material Processing

Activation Series

	<h3>Features</h3>	<h3>Applications</h3>
	<ul style="list-style-type: none"> • Turnkey laser system • Easy integrated into production machines interface • Reliable control and protection functions • Closed-loop process control 	<ul style="list-style-type: none"> • Material processing • Laser annealing • Laser reflow soldering • Laser bonding • Plastic welding • Laser non-contact heating

Product Dimensions (mm)



Remark: The structure drawing is for reference only. Please feel free to contact us for any special requirements.

Product Specifications

Product Code	ACT000008	ACT000009	ACT000010
Part No. ¹	LM-AE120-808-F200-3	LM-AE120-808-F400-3	LM-AE120-980-F200-3

General Data	Unit	Value		
Rack Type	-	19"	19"	19"
Dimensions (height × width × depth)	mm	1140 × 610 × 840	1140 × 610 × 840	1140 × 610 × 840
Max. Weight	kg	100	100	100

Optical Data	Unit	Value		
CW-nominal Output Power	W	120	120	120
Wavelength	nm	808	808	980
Fiber Diameter	μm	200	400	200
Numerical Aperture	-	0.22	0.22	0.22
Fiber plug Type	-	SMA905	SMA905	SMA905
Fiber Length	m	3	3	3

Electrical Data	Unit	Value		
Operating Voltage	V	220 ± 10	220 ± 10	220 ± 10
Max. Operation Current	A	10	10	10
Supply Frequency	Hz	50 - 60	50 - 60	50 - 60
Number of Leads	-	1P + N + PE	1P + N + PE	1P + N + PE
Power Plug Type	-	CEE	CEE	CEE

Thermal Data	Unit	Value		
Operating Temperature	°C	15 ~ 35	15 ~ 35	15 ~ 35
Storage Temperature	°C	15 ~ 60	15 ~ 60	15 ~ 60
Chiller Type	-	Water	Water	Water
Cooling Capacity	W	750	750	750
Laser Circuit Water Pressure	bar	3.5	3.5	3.5
Laser Circuit Water Flow	L/min	4	4	4
Laser Circuit Water Type	-	Distilled Water	Distilled Water	Distilled Water

Other Features ²			
Pilot Beam	●	●	●
Key Main Switch	●	●	●
Pyrometer Control	○	○	○
Power-meter Control	○	○	○
Internal Pulse Modus	●	●	●
Laser Process Head	○	○	○

¹Part No. = Brand Code - Series & Power - Wavelength - Fiber Diameter - Fiber Length

²“●” = available; “○” = optional.



Product Specifications

Product Code	ACT000011	ACT000012	ACT000013
Part No. ¹	LM-AE150-980-F400-5	LM-AE200-980-F400-5	LM-AE250-808-F400-5

General Data	Unit	Value		
Rack Type	-	19"	19"	19"
Dimensions (height × width × depth)	mm	1140 × 610 × 840	1140 × 610 × 840	1140 × 610 × 840
Max. Weight	kg	100	100	100

Optical Data	Unit	Value		
CW-nominal Output Power	W	150	200	250
Wavelength	nm	980	980	808
Fiber Diameter	µm	400	400	400
Numerical Aperture	-	0.22	0.22	0.22
Fiber plug Type	-	LD80	LD80	LD80
Fiber Length	m	5	5	5

Electrical Data	Unit	Value		
Operating Voltage	V	220 ± 10	220 ± 10	220 ± 10
Max. Operation Current	A	10	10	10
Supply Frequency	Hz	50 - 60	50 - 60	50 - 60
Number of Leads	-	1P + N + PE	1P + N + PE	1P + N + PE
Power Plug Type	-	CEE	CEE	CEE

Thermal Data	Unit	Value		
Operating Temperature	°C	15 ~ 35	15 ~ 35	15 ~ 35
Storage Temperature	°C	15 ~ 60	15 ~ 60	15 ~ 60
Chiller Type	-	Water	Water	Water
Cooling Capacity	W	750	750	750
Laser Circuit Water Pressure	bar	3.5	3.5	3.5
Laser Circuit Water Flow	L/min	4	4	4
Laser Circuit Water Type	-	Distilled Water	Distilled Water	Distilled Water

Other Features ²			
Pilot Beam	●	●	●
Key Main Switch	●	●	●
Pyrometer Control	○	○	○
Power-meter Control	○	○	○
Internal Pulse Modus	●	●	●
Laser Process Head	○	○	○

¹Part No. = Brand Code - Series & Power - Wavelength - Fiber Diameter - Fiber Length

²● = available; ○ = optional.

