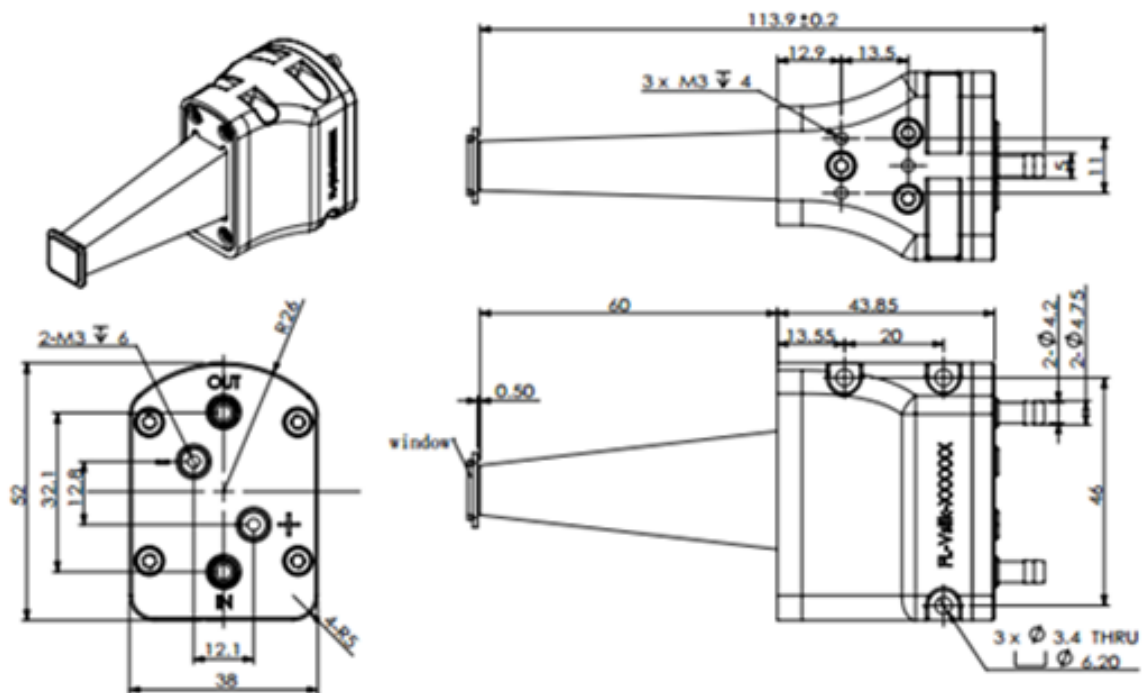


# Conduction Cooled Vertical Stack Diode Laser

## Vsilk1200 Plus

	<p><b>Features</b></p> <ul style="list-style-type: none"> <li>• AuSn bonding</li> <li>• Module design</li> <li>• High power</li> <li>• Long life</li> <li>• High reliability</li> <li>• High beam uniformity</li> </ul>	<p><b>Applications</b></p> <ul style="list-style-type: none"> <li>• Hair removal</li> </ul>
--	---	---

### Product Dimensions (mm)



**Remark:** The structure drawing is for reference only. Please feel free to contact us for any special requirements.

## Product Specifications

<b>Product Code</b>	<b>HAR000108</b>
Part No. <sup>1</sup>	FL-Vsilk-1200-1000-808

Optical Data <sup>2</sup>	Unit	Value
Centroid Wavelength	nm	808
Wavelength Tolerance	nm	± 15
Output Power per bar <sup>3</sup>	W	100
Beam Size	mm	10 × 10
Output Power	W	1000
Polarization Mode	-	TE
Wavelength Temp. Coefficient	nm/°C	~ 0.28

Electrical Data <sup>2</sup>		
Operation Current	A	≤ 105
Threshold Current	A	≤ 30
Operating Voltage	V	≤ 2
Slope Efficiency	W/A	≥ 1.1
Power Conversion Efficiency	%	≥ 48
Max. Pulse Width	ms	100
Max. Duty Cycle	%	20%

Miscellaneous Data <sup>2</sup>		
Operating Temperature <sup>4</sup>	°C	22 ~ 28
Coolant	-	Distilled water or pure water
Flow Rate	L/min	2 ~ 4
Max Inlet Pressure	kPa	380

<sup>1</sup>Part No. = Brand Code - Series - Output Power from Laser Module- Output Power from Waveguide- Centroid Wavelength.

<sup>2</sup>Data at 25°C unless otherwise stated.

<sup>3</sup>Reduced lifetime if used above nominal operating conditions.

<sup>4</sup>A non-condensing environment is required for storage and operation below ambient dew level.



**Recommended Operation Condition**

FL-Vsilk-1200-1000-808 Power Table													
Energy(J/cm <sup>2</sup> )		Frequency(Hz)										Iop	
		1	2	3	4	5	6	7	8	9	10		
Pulse(ms)	10	10	10	10	10	10	10	10	10	10	10	10	~105A
	20	16	16	16	16	16	16	16	16	16	16	16	~95A
	30	24	24	24	24	NA	NA	NA	NA	NA	NA	NA	~70A
	40	32	32	32	NA	NA	NA	NA	NA	NA	NA	NA	
	50	40	40	NA	NA	NA	NA	NA	NA	NA	NA	NA	Cooling water: T =25±3°C; Flow Rate 2~4L/min
	60	50	50	NA	NA	NA	NA	NA	NA	NA	NA	NA	
	100	50	NA	NA	NA	NA	NA	NA	NA	NA	NA	NA	